



ALTEC

**Aluminium
Wheelchair
Access Ramps**

ALTEC GmbH Singen

ALTEC GMBH

An innovative company from an innovative country.

Altec is a well established, medium sized manufacturing company situated in the south of Baden-Wurttemberg close to Lake Konstanz and the Swiss border.

A perfect environment to put ideas in action.

For every situation there is a correct solution

Only Altec has a product range wide enough to suit most

applications. If you can't find what you need we will design and manufacture the best solution for you.

At Altec we believe the most important factors are experience, cost and safety. All of our products are certified agree with the rules laid down by our chamber of commerce.

From design to production we offer top quality, **made in Germany!**



Please take the following into consideration.

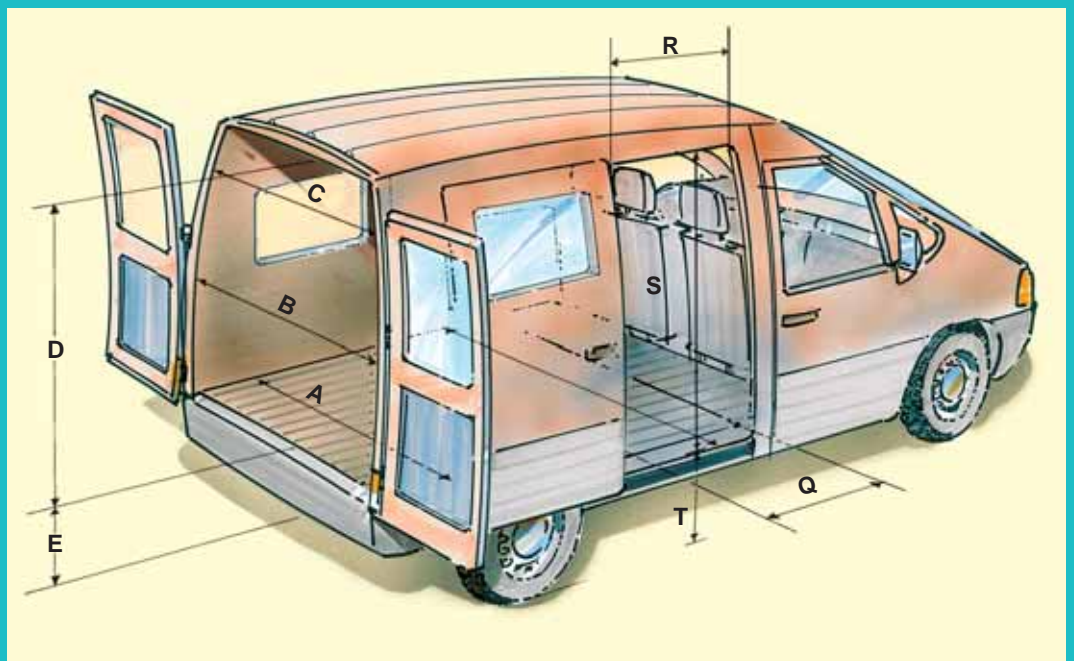
To determine the right loading ramp following dimensions are required.

rear – door

- A _____ mm
- B _____ mm
- C _____ mm
- D _____ mm
- E _____ mm

side – door

- Q _____ mm
- R _____ mm
- S _____ mm
- T _____ mm



Index

type SBA
page 6



type SBS
page 7



type SBK
page 8



type BTR
page 9



type ABS
type ABS-F
page 10



type ABS-Z
page 11



type RAS
type RAS-F
page 12



type RAS-W
page 13



type RLK
page 14/15



type RLK-Z
page 16



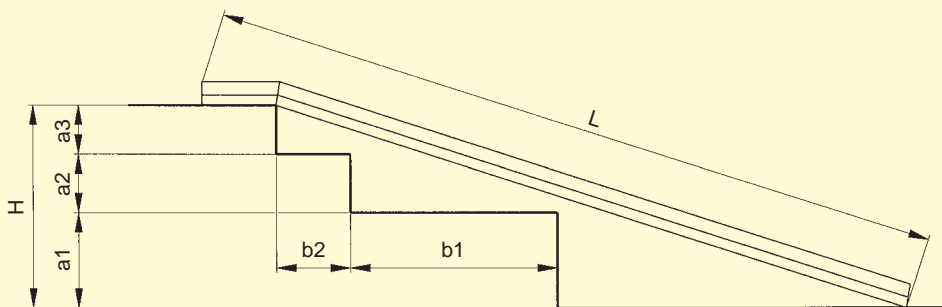
type RRD
page 17



type AOL-R
page 18



Use copy for inquiries

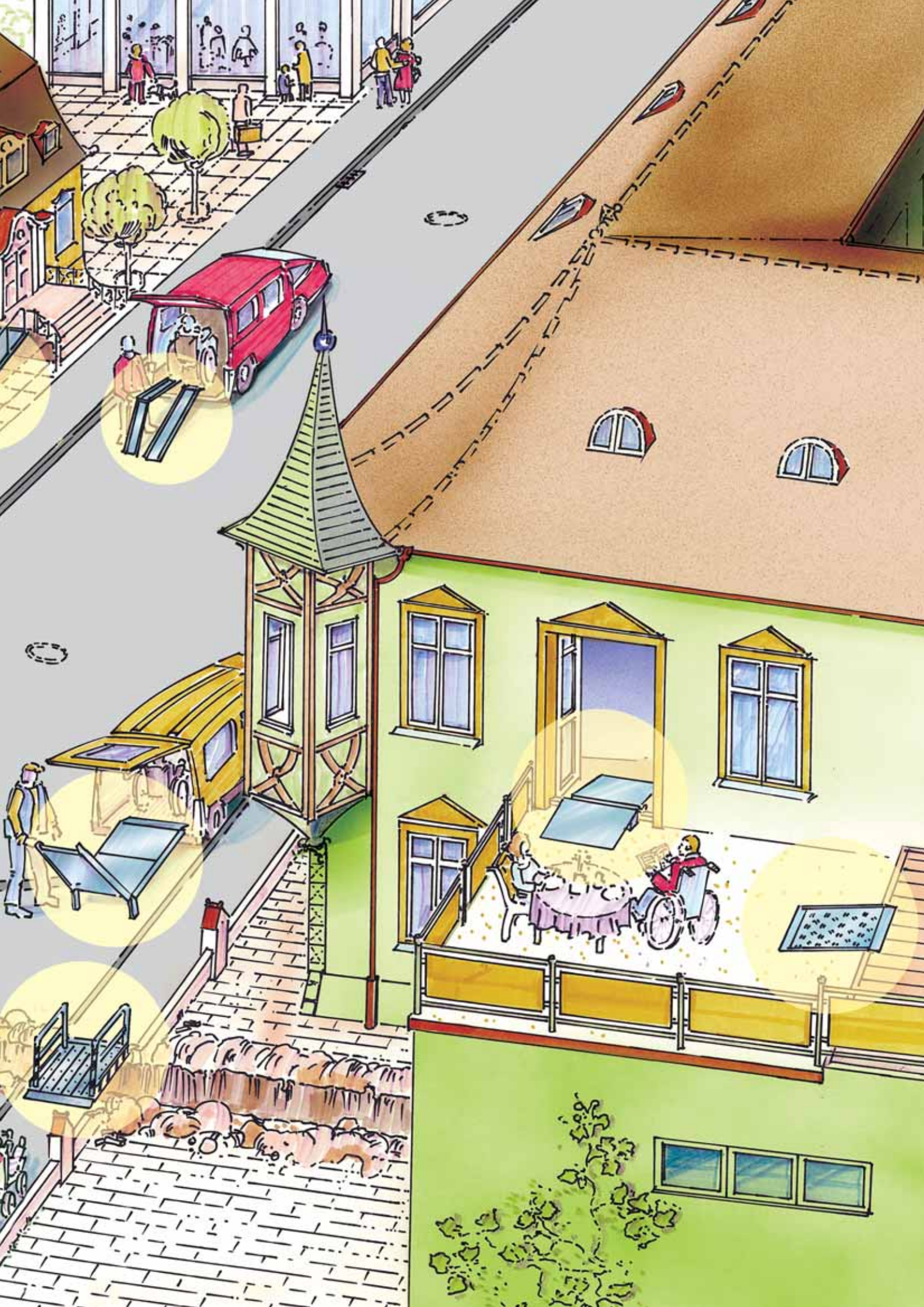


Please consider the following:

With equal step dimensions, it's enough to mention quantity and dimension.

In case of longer treads with Unequal steps, pls. extend drawing.





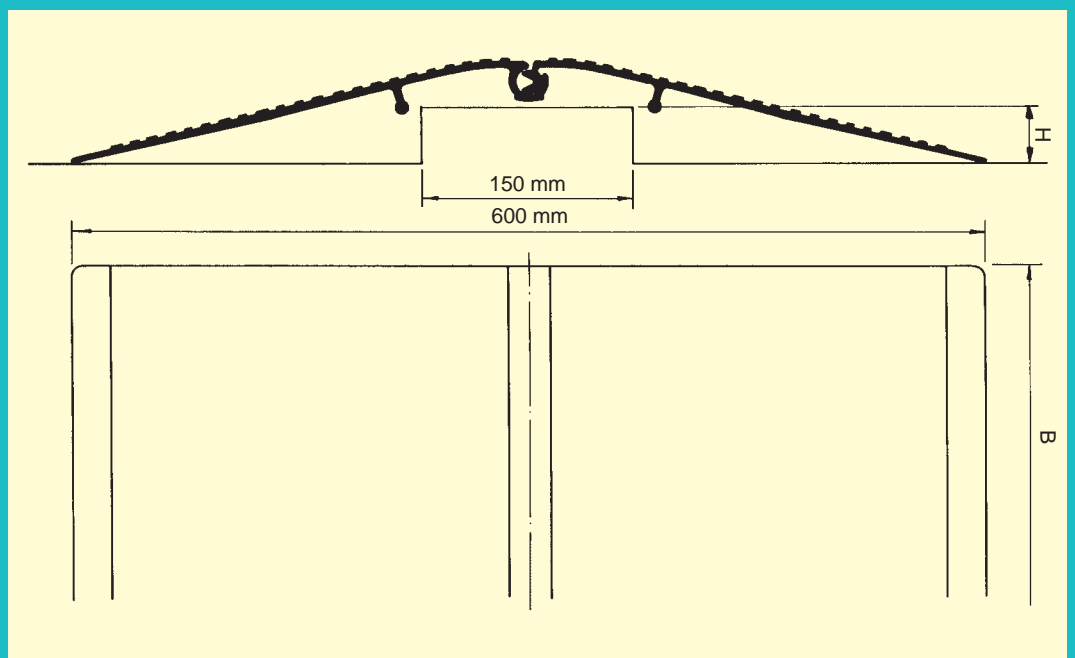
Type SBA

This two part threshold ramp can be used for different heights. They are lightweight and easy to handle. SBA bridge is not self supporting and must rest on the threshold.

The anti slip surface ensures safe use.



Order code	Type	Length (mm)	Width (mm)	Height (mm)	Capacity (kgs)	Weight (kgs)
307.10.000	SBA	600	700	15-60	500	7
307.10.001	SBA	600	1000	15-60	500	10



Other dimensions on request.



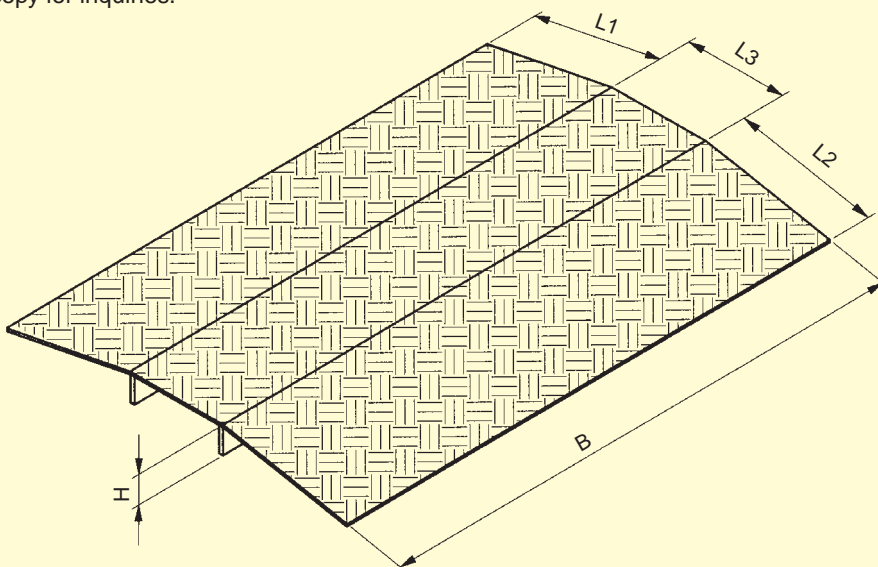
Type SBS

SBS bridge ramps are designed as standard to span door steps or thresholds up to 35 mm high and 120 mm wide. They are easy to handle, alternative dimensions are available on request.

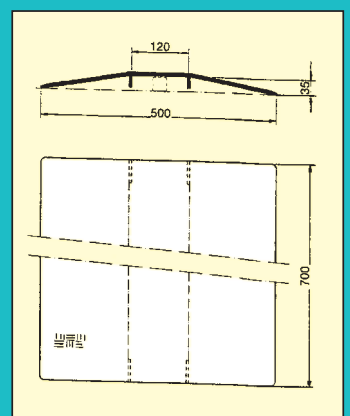


Order code	Type	Length (mm)	Width (mm)	Height (mm)	Capacity (kgs)	Weight (kgs)
307.00.108	SBS	500	700	35	300	4

Use copy for inquiries.

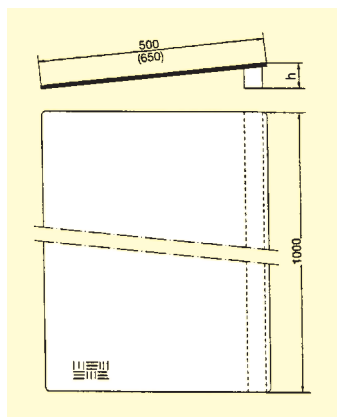


Other dimensions on request.



Type SBK

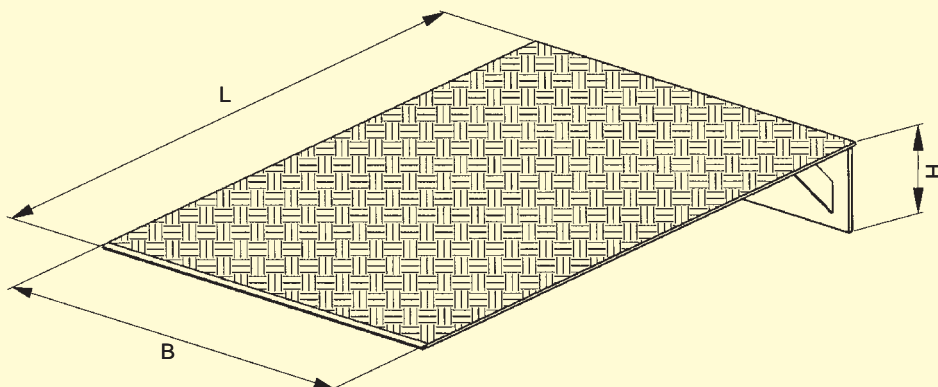
SB-K entrance ramps have been designed to allow easy access over doorsteps. They have an anti-slip surface, and are maintenance free. The height difference (dimension "h") is needed when ordering.



Order code	Type	Length (mm)	Width (mm)	Height (mm)	Capacity (kgs)	Weight (kgs)
307.00.110	SBK	500	1000	10- 70	300	9
307.00.111	SBK	650	1000	70-120	300	11

Other dimensions on request.

Use copy for inquiries.



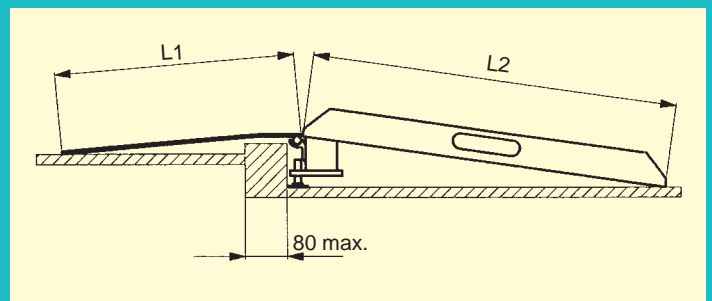
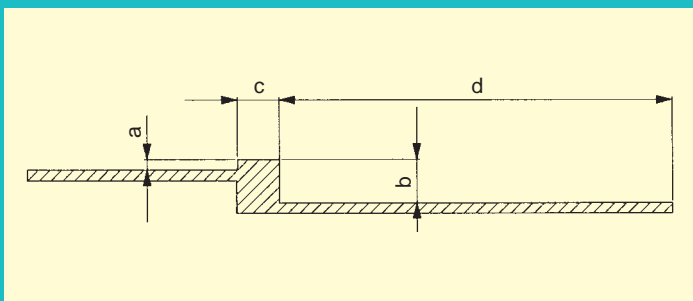
Type BTR

The BTR is a two piece threshold ramp, allow easy access to outside areas.

The external section can be left in place, while the internal can be placed when required.



Order code	Type	Length (mm)		Width (mm)	Height difference (mm)		Capacity (kgs/pair)	Weight (kgs/ea)	
		L 1	L 2		a	b		L 1	L 2
307.66.000	BTR	400	800	750	20 - 50	70 - 125	300	5	13
307.66.001	BTR	500	800	750	50 - 90	120 - 155	300	6	13
307.66.002	BTR	400	1200	750	20 - 50	150 - 185	300	6	18
307.66.003	BTR	500	1200	750	50 - 90	180 - 215	300	6	18



For other sizes give required dimensions.

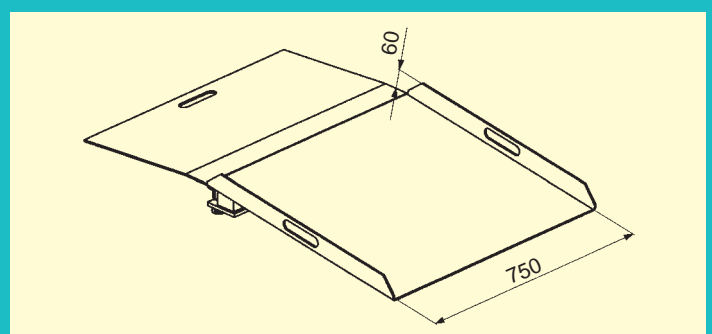
a _____ mm

b _____ mm

c _____ mm

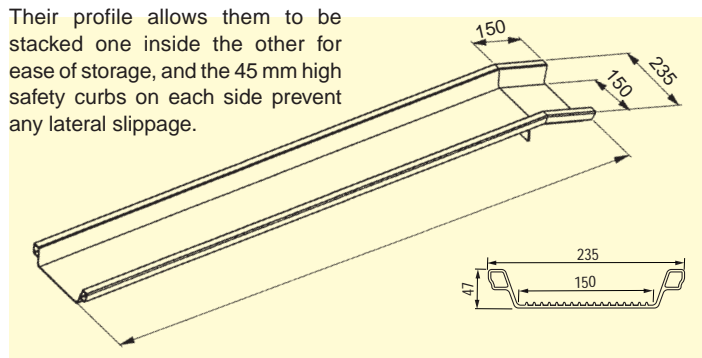
d _____ mm

door width _____ mm



Type ABS

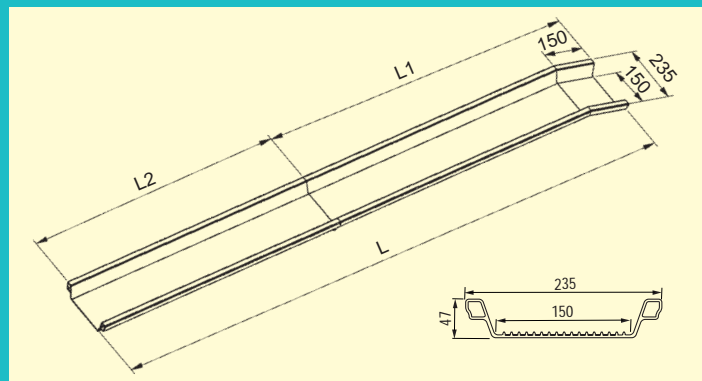
This aluminium ramp offers an excellent balance between a very low weight and a high load capacity. Robust and easy to handle. These ramps are fabricated from an extruded profile which is cut to length and angled as required. With an internal width of 150 mm, and an overall width of 235 mm, these ramps are ideal for wheel chairs.



Order code	Type	Internal width (mm)	Length (mm)	External width (mm)	Capacity (kgs/pair)	Height difference 20 % gradient (mm)	Weight (kgs/ea)
082.00.004	ABS	150	1000	235	700	165	5
082.00.005	ABS	150	1500	235	600	265	6
082.00.001	ABS	150	2000	235	500	365	8
082.00.002	ABS	150	2500	235	400	465	10
082.00.003	ABS	150	3000	235	350	565	12

Type ABS-F

A folding version of the ABS is available for ease of storage and use.



Order code	Type	Length (mm)	Dimension (mm)		Internal width (mm)	External width (mm)	Capacity (kgs/pair)	Bed height 20 % gradient (mm)	Weight (kgs/ea)
			L 1	L 2					
082.55.005	ABS - F	1500	850	650	150	235	400	265	7
082.55.001	ABS - F	2000	1100	900	150	235	400	365	9
082.55.002	ABS - F	2500	1350	1150	150	235	350	465	11
082.55.003	ABS - F	3000	1600	1400	150	235	300	565	13

Type ABS-Z

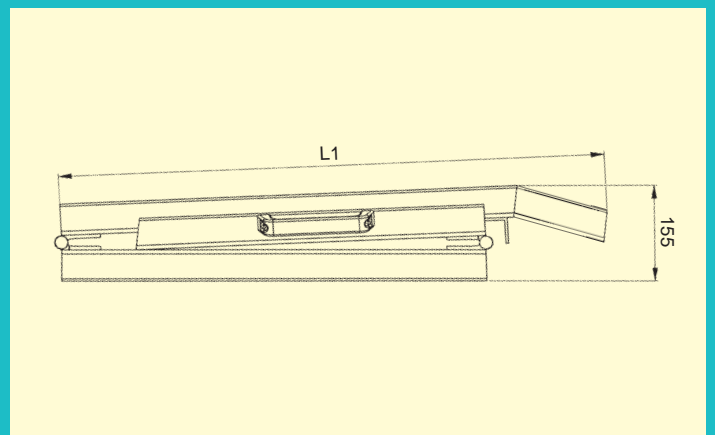
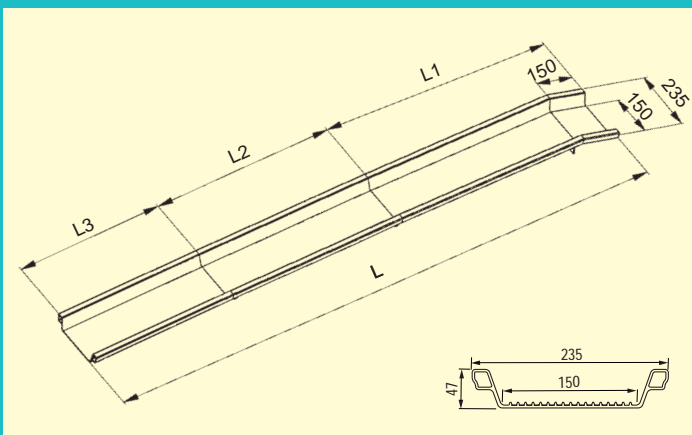


In case of small luggage space, the three times foldable ABS ramps are an ideal solution.

They are fabricated from an extruded profile and offers an excellent balance between low weight and capacity. With an internal width of 150 mm, they are also ideal for wheelchairs with offset axles.



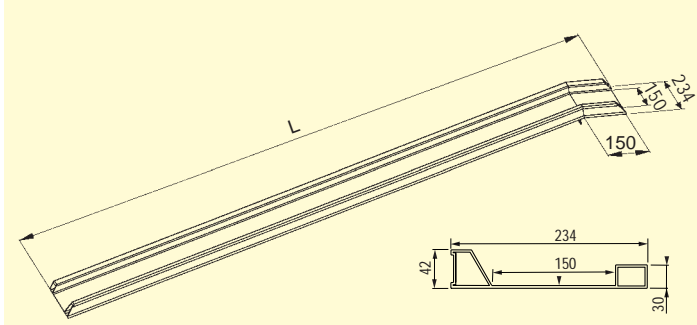
Other dimensions on request.



Order code	Type	Length (mm)	Dimension (mm)			Internal width (mm)	External width (mm)	Capacity (kgs/pair)	Bed height 20% gradient (mm)	Weight (kgs/ea)
			L 1	L 2	L 3					
082.66.001	ABS - Z	2035	850	650	535	150	235	400	370	9
082.66.002	ABS - Z	2785	1100	900	785	150	235	325	520	12
082.66.003	ABS - Z	3535	1350	1150	1035	150	235	250	670	14

Type RAS

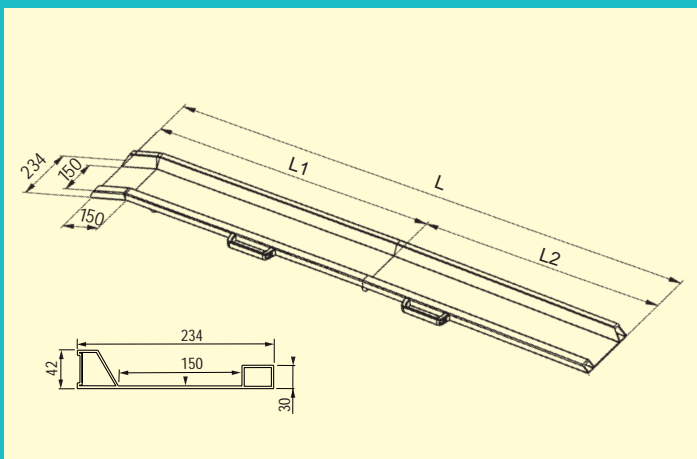
The loading ramps, type RAS are fabricated from a high strength aluminium alloy. The running surface is covered with an anti-slip coating.



Order code	Type	Length (mm)	Height difference (mm)	Capacity (kgs)	Weight (kgs)
082.20.000	RAS	2000	365	380	8
082.20.001	RAS	2500	465	380	10
082.20.002	RAS	3000	565	360	12

Type RAS-F

A folding version of the ABS is available. For ease of storage and use.



Order code	Type	Length (mm)	L 1	L 2	Height difference 20% gradient (mm)	capacity (kgs/pair)	weight (kgs/ea)
082.10.002	RAS - F	2000	1100	900	365	300	9
082.10.000	RAS - F	2500	1350	1150	465	300	11
082.10.001	RAS - F	3000	1600	1400	565	280	13

Type RAS-W

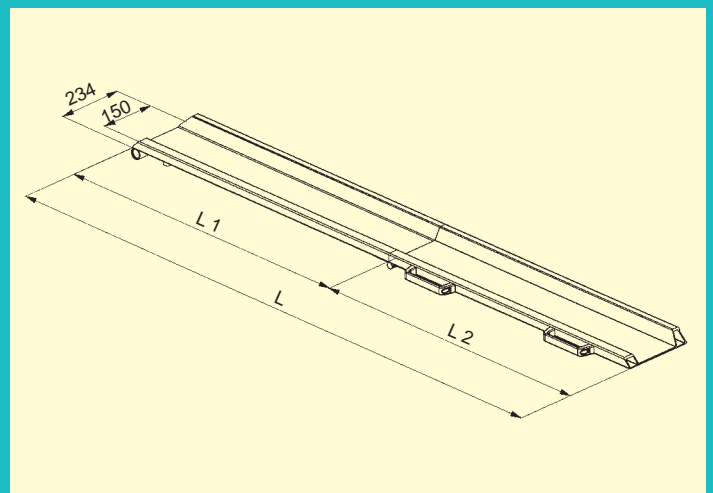
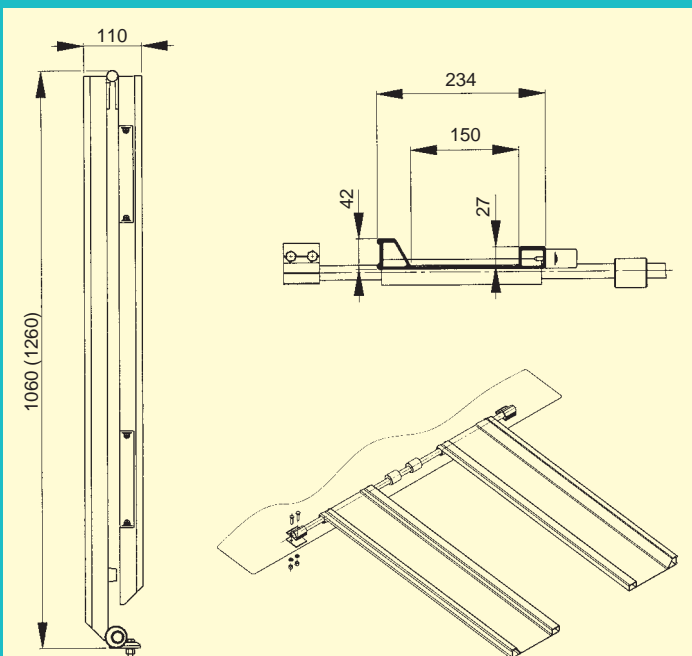


These ramps can be permanently installed inside the vehicle. The ramps pivoting and sliding mechanism uses ball bearings for ease of use. During transport the ramps are maintained vertically inside the vehicle by the safety straps supplied. If required, the ramp surface can easily be renewed with an anti-slip adhesive.

Each pair of ramps is supplied With a mounting kit.
The complete set consists of:

- 1 pair of ramps
- 1 steel axle (length 1800 mm)
- 1 installation kit to fix the axle to the floor of the vehicle
- 2 safety straps to hold the ramps in vertical position.

Other dimensions on request.



Order code	Type	Length (mm)	L 1	L 2	Capacity (kgs)	Weight (kgs)
082.10.021	RAS - W	2000	1040	960	300	9
082.10.022	RAS - W	2400	1240	1160	300	11

Type RLK

This aluminium ramp is designed to allow for easy one man operation. The folding and unfolding of the ramp is made effortless by the use of gas struts to balance the weight of the ramp.



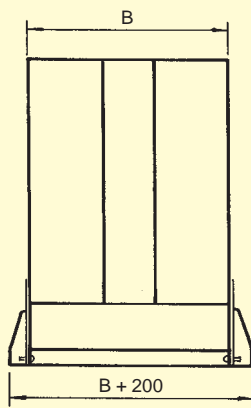
The ramp surface is fabricated from extruded aluminium profiles which are perforated and embossed to give a perfect anti-slip surface, and also allow rain and snow to disperse very easily. The light weight of the ramp allows most of the initial loading capacity of the vehicle

position by two latches, and mounting blocks are used to maintain the assembly rigid and prevent any vibration during transport.

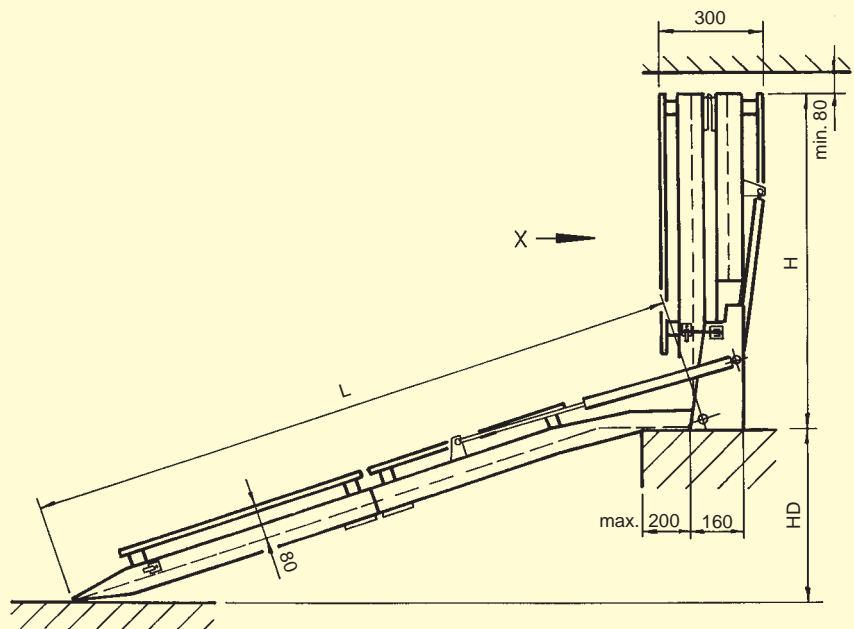


Order code	Type	Length (mm)	Width (mm)	Height (mm)	Height difference (mm)		Capacity (kgs)	Weight (kgs)
					min. (15%)	max. (30%)		
084.00.014	RLK	1600	800	875	155	375	350	31
084.00.015	RLK	1600	1000	875	155	375	350	37
084.00.016	RLK	1800	800	980	185	435	350	33
084.00.017	RLK	1800	1000	980	185	435	350	40
084.00.018	RLK	2000	800	1045	205	475	350	35
084.00.019	RLK	2000	1000	1045	205	475	350	42
084.00.020	RLK	2200	800	1150	235	535	350	37
084.00.021	RLK	2200	1000	1150	235	535	350	44
084.00.022	RLK	2400	800	1255	265	595	350	39
084.00.023	RLK	2400	1000	1255	265	595	350	47
084.00.024	RLK	2600	800	1360	300	655	350	42
084.00.025	RLK	2600	1000	1360	300	655	350	50
084.00.026	RLK	2800	800	1465	330	715	320	44
084.00.027	RLK	2800	1000	1465	330	715	320	52

Other dimensions on request.



View X



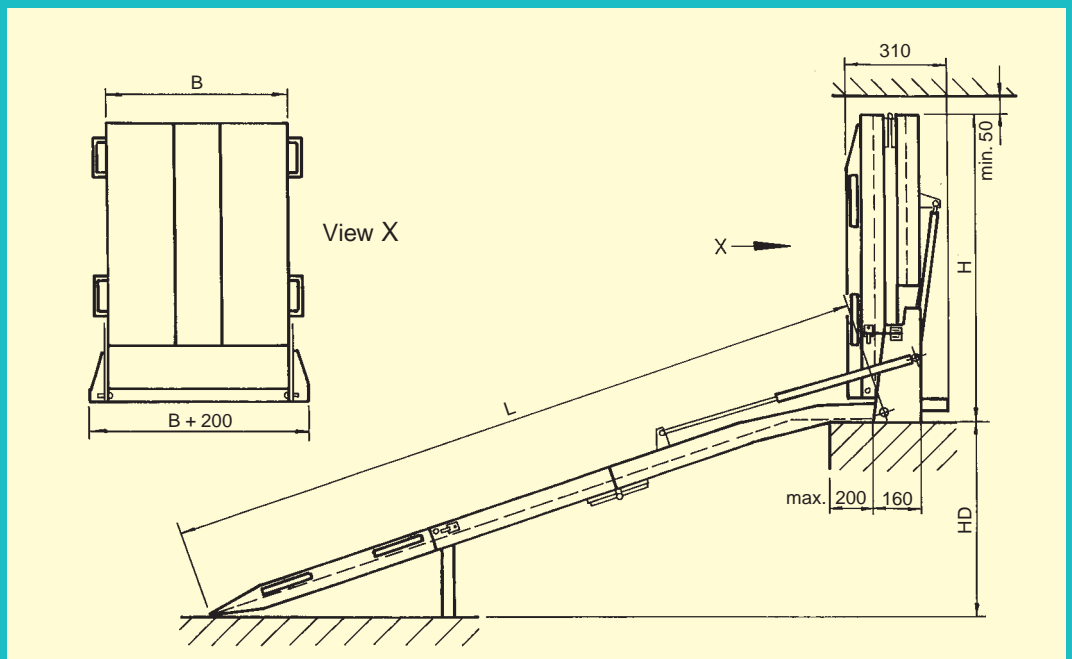
Type RLK-Z

Derived from the RRK ramp. The RLK-Z is designed for use in vehicles with a low roof height.

Folding twice in three sections the RLK-Z is made for easy installation and easy use.



Order code	Type	Length (mm)	Width (mm)	Height (mm)	Height difference (mm)		Capacity (kgs)	Weight (kgs)
					min. (15%)	max. (30%)		
086.00.001	RLK - Z	2200	825	805	235	535	350	41
086.00.002	RLK - Z	2400	825	875	265	595	350	43
086.00.003	RLK - Z	2700	825	980	315	695	350	47
086.00.004	RLK - Z	2900	825	1045	345	755	350	49



Other dimensions on request.

Type RRD

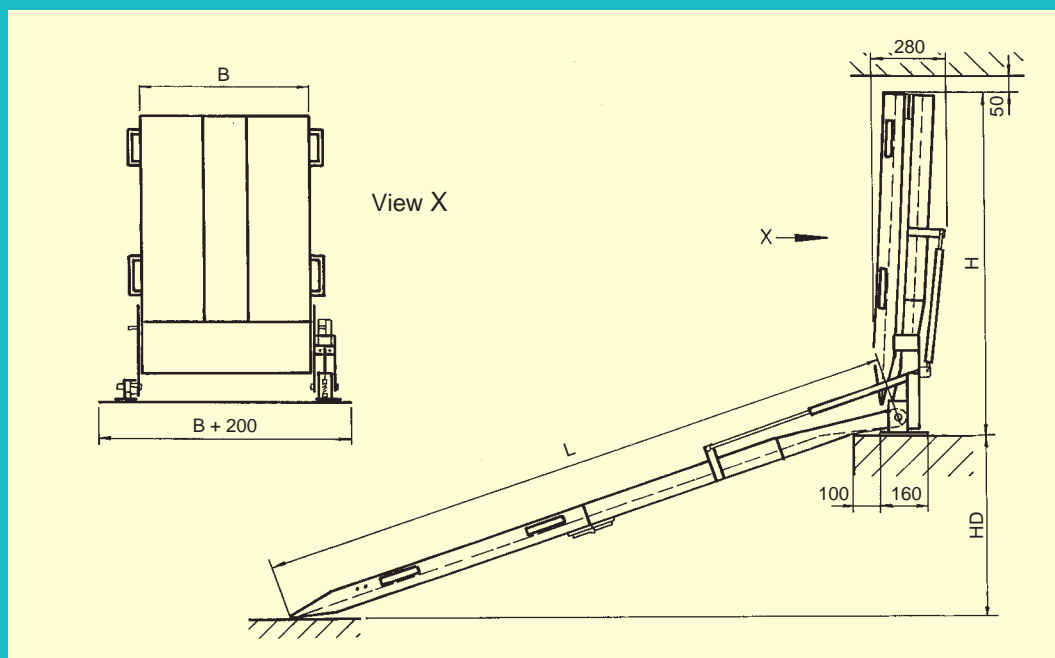


Other dimensions on request.



The RRD-ramp is rotatable inside and outside.

Order code	Type	Length (mm)	Width (mm)	Height (mm)	Height difference (mm)		Capacity (kgs)	Weight (kgs)
					min. (15%)	max. (30%)		
081.01.306	RRD	1800	800	1040	185	460	450	54
081.01.307	RRD	1800	1000	1040	185	460	450	63
081.01.308	RRD	2000	800	1115	205	500	450	57
081.01.309	RRD	2000	1000	1115	205	500	450	66
081.01.311	RRD	2200	800	1220	235	570	450	59
081.01.312	RRD	2200	1000	1220	235	570	450	69
081.01.300	RRD	2400	800	1325	265	640	450	64
081.01.301	RRD	2400	1000	1325	265	640	450	73
081.01.315	RRD	2600	800	1430	300	700	450	66
081.01.316	RRD	2600	1000	1430	300	700	450	76
081.01.318	RRD	2800	800	1535	330	760	430	79



Type AOL-R

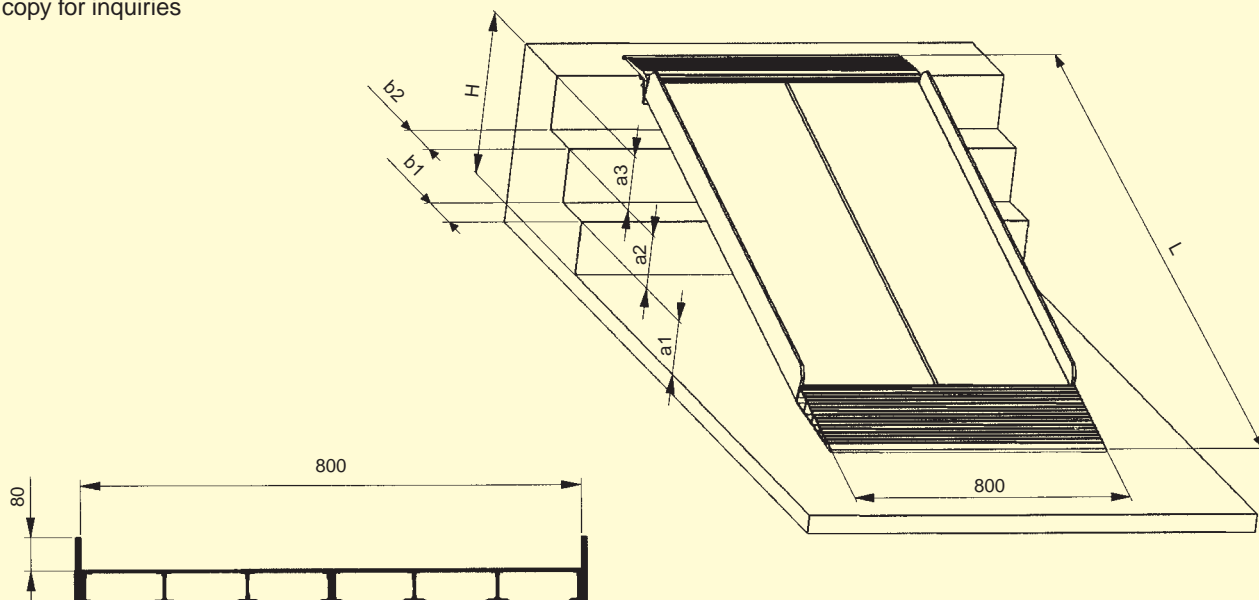
The wheelchair ramp AOL-R is made to bridge over stairs or high steps.

The surface is fabricated from extruded aluminium profiles which are perforated and embossed to give a perfect anti-slip surface and allow rain and snow to disperse very easily.



Order code	Type	Length (mm)	Width (mm)	Height difference (mm)		Capacity (kgs)	Weight (kgs)
				min. 15 %	max. 15 %		
081.00.800	AOL-R	1500	800 (+15)	270		400	21
081.00.801	AOL-R	2000	800 (+15)	370		400	26
081.00.802	AOL-R	2500	800 (+15)	470		400	31
081.00.803	AOL-R	3000	800 (+15)	570		400	46
081.00.804	AOL-R	3500	800 (+15)	670		400	53
081.00.805	AOL-R	4000	800 (+15)	770		400	50

Use copy for inquiries

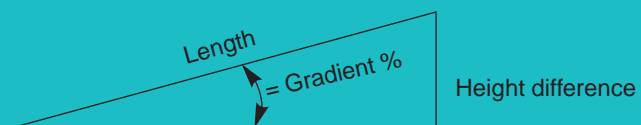


Special solutions



How to calculate the required length

$$\text{Length} = \frac{\text{Height difference} \times 100}{\text{Gradient \%}}$$



Please note to following gradients:

- at public buildings 6%
- owner driver with bodily handicap 6%
- owner driver without bodily handicap 10%
- handicapped person, who will be assisted 20%
- electric wheelchair 20%

The lengths and height differences mentioned in this catalogue are recommended dimensions, based on situations where persons will be assisted

For electric wheelchairs pls. pay attention to operating instructions for max. gradient.

Bridge plates



Please order catalogue



Loading ramps



ALTEC

ALTEC GmbH
Rudolf-Diesel-Str. 7, D-78224 Singen

Tel. 0049-77 31-87 11-0

Telefax 0049-77 31-87 11-11

E-Mail: altec-singen@t-online.de

www.altec-singen.de